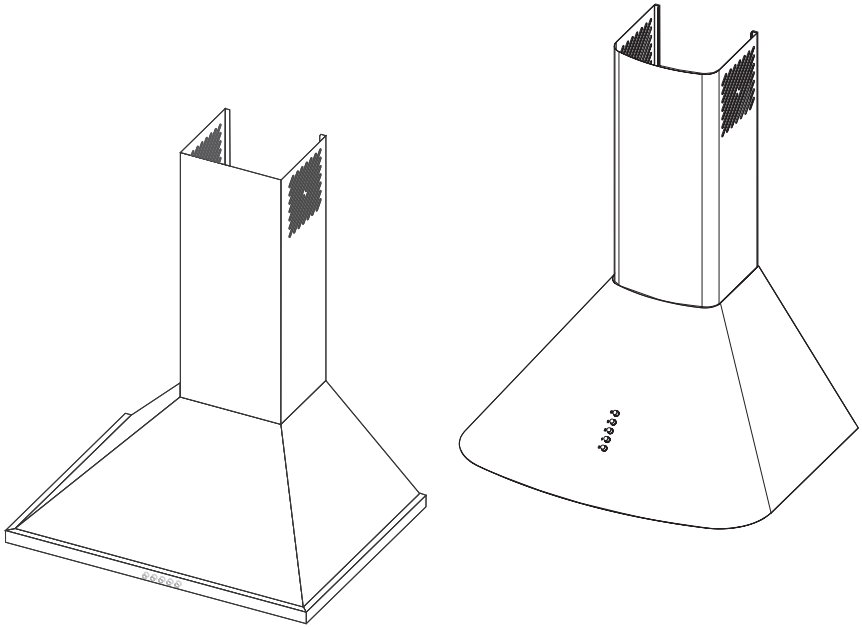


User Manual **GB**



DECORATIVE CHIMNEY HOOD

Dear Customer,

Thank you very much for your preference for products. Our objective is to ensure that you enjoy this product, manufactured environmentally-friendly with a total sense of quality in a precise working environment at our modern facilities, most efficiently.

We recommend you to read the instruction manual carefully and keep it handy before you use this chimney hood so that it maintains its quality just like the first day you bought it and serves you most efficiently.

NOTE:

This Instruction Manual has been prepared for a variety of models. Some of the features specified in the Manual may not exist in your device.

These features are marked with *.

Our devices are designed for domestic use. They are not for professional use.

“PLEASE READ THE INSTRUCTIONS BEFORE YOU INSTALL OR USE THIS DEVICE.”

This product has been manufactured in an environmentally-friendly and modern plants without harming the nature.

“Conforms with the AEEE Regulations.”

CONTENTS

1. Safety Instructions	4
2. Introduction And Technical Drawing Of The Chimney Hood	7
3. Installation Of Chimney Hood	8
3.1. Location Of The Chimney Hood.....	8
3.2. Mounting Chimney Hood On The Wall.....	8
3.3. Mounting The Aluminum Pipe.....	8
3.4. Installation Of Outer Duct.....	9
3.5. Installation of Inner Duct Mounting Bracket.....	9
4. Functions Of The Chimney Hood	9
4.1. Control Panel.....	9
4.2. Symbols Functions.....	9
5. Operating The Chimney Hood	10
5.1. In Ducted Use.....	10
5.2. Round Charcoal Filter.....	10
5.3. Use Of Charcoal Filter.....	11
5.4. Installation Of Charcoal Filter.....	11
5.5. Use Of Aluminum Cartridge Filter.....	11
6. Replacing The Bulb	11
7. Maintenance Of The Chimney Hood	12
8. If Chimney Hood Does Not Work	13
9. Environmentally-Friendly Disposal	14
10. Package Information	14

1. SAFETY INSTRUCTIONS

1. This product is designed for domestic use.
2. Product Voltage is 220-240 Volts 50Hz.
3. Power cord of your product is fitted with grounded plug. This cord must be plugged into a grounding socket.
4. All electrical installation must be done by a qualified electrician.
5. Installation by unqualified persons may lead the product run with lower performance, be damaged or cause accidents.
6. Power supply cord should not be jammed or crushed. Power cord should not be close to hobs, etc, otherwise it may melt and cause fire.
7. Do not plug in the product into a socket before the installation is complete.
8. Make sure the mains switch is easily accessible in order to cut the power of the product in case of any danger.
9. Do not touch the bulbs of your product if used for a long period of time. The bulbs will be hot and may burn your hand.
10. Kitchen chimneys are designed for domestic use. If used for other purposes, it may lead to a failure and not be covered under the warranty.
11. Follow the authorized agencies' rules and regulations regarding letting out the air. (This warning does not apply to usage with non-ducted chimney hoods.)

12.Food that may burst into flames should not be cooked under the device.

13.Turn on the product after you place pots, pans, etc on the hobs. Otherwise excess heat may cause deformation of some parts of your product.

14.Do not leave hot oil on the hobs. Pans with hot oil inside may cause self-ignition.

15.When cooking i.e. deep frying, hot oil may burst into flames. Be careful on your curtains and cloths.

16.Make sure you replace the filters at the recommended intervals. Filters not replaced on time carry fire risk due to increase of grease on them.

17.Do not use non-fire-resistant materials instead of filters.

18.Keep the potentially dangerous packaging materials away from children.

19.Do not use your product without a filter, do not remove filters when the product is operating.

20.In case of start of flames, cut off the power of the chimney fan and cooker.(Cut off the power by unplugging the device).

21.Turn off the hobs before you remove pots, pans, etc.

22.If the cleaning is not done periodically, your product may carry fire risk.

23.Cut off the power supply before any maintenance work. (Cut off the power by unplugging the device.)

24.For duct-out chimney hoods, use pipes with a diameter of 150 mm or 120 mm. You should minimize the ducting distance with minimum bends.

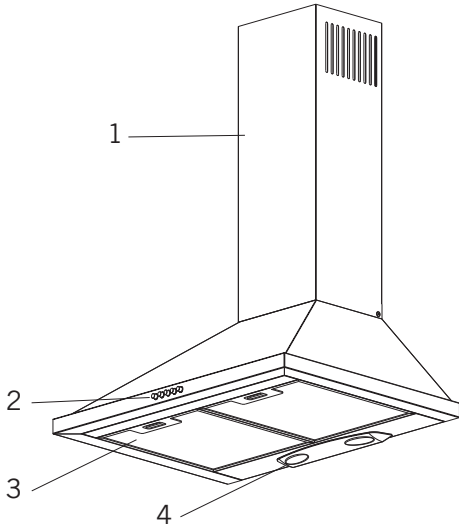
25.Make sure your children do not play with the product. Do not let young children operate the product.

26.If the power cord is damaged, the damaged cord should be replaced by the manufacturer or its service agent or similarly specialized personnel in order to avoid a dangerous situation.

27.In case of start of flames, cut off the power of the chimney fan and cooker and cover the flame. Do not use water to extinguish the fire.

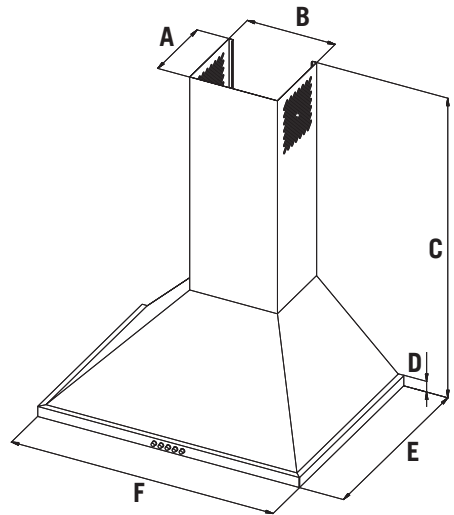
28.WARNING: Install “MAX. 6 A” fuse for the extractor fan.

2. INTRODUCTION AND TECHNICAL DRAWING OF THE CHIMNEY HOOD



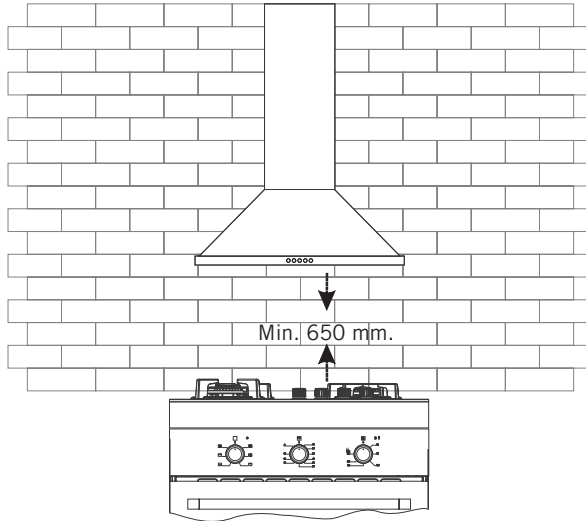
- 1. Duct
- 2. Control panel
- 3. Filter
- 4. Lighting

A	170 mm
B	200 mm
C	700 mm
D	25 mm
E	450 mm
F	596 mm / 896 mm



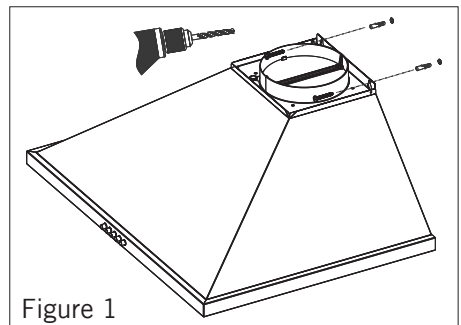
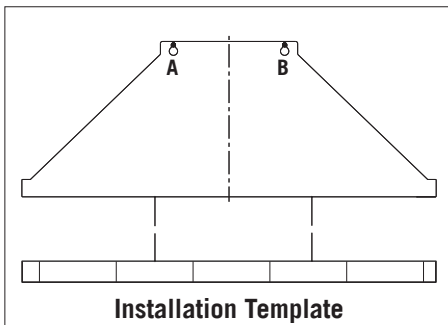
3. INSTALLATION OF CHIMNEY HOOD

3.1. Location Of The Chimney Hood



3.2. Mounting Chimney Hood On The Wall

2 drywall (8mm) anchors are nailed into the holes drilled according to installation template (A,B). They are fixed into the wall through 2 key holes by screws as shown in **Figure 1**.



3.3. Mounting The Aluminum Pipe

Place the aluminum pipe on the plastic duct. Place the other end of the pipe into the air outlet in the kitchen. (**Figure 2**)

Twists and bends on the aluminum pipe may cause minimizing the air suction so avoid unnecessary bends and twists as much as possible. (**Figure 3-4**) Place the inner duct and outer duct carefully on the product.

Fix the inner duct to inner duct connection plate with 2 screws.

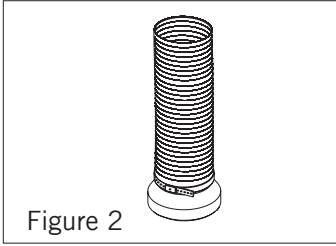


Figure 2

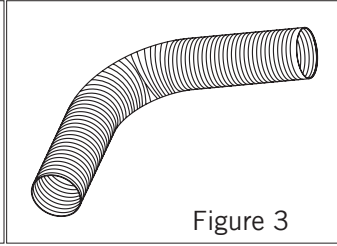


Figure 3

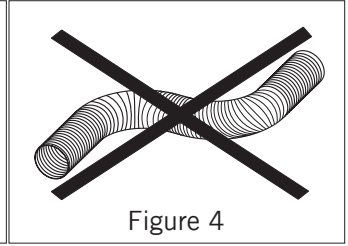


Figure 4

3.4. Installation Of Outer Duct

Put the outer duct on the chimney hood and fix to it by 2 screws (**Figure 5**)

3.5. Installation of Inner Duct Mounting Bracket

2 fixing holes are drilled on the wall with $\varnothing 6$ mm electric drill at a suitable height and place to fix the inner duct hanger plate onto the wall. 6mm drywall anchors are nailed into those holes and inner duct mounting brackets are pinned down. (**Figure 6**)

At the last step of chimney hood installation, the inner duct is screwed on the inner duct mounting brackets.

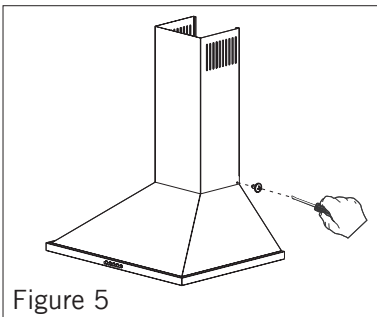


Figure 5

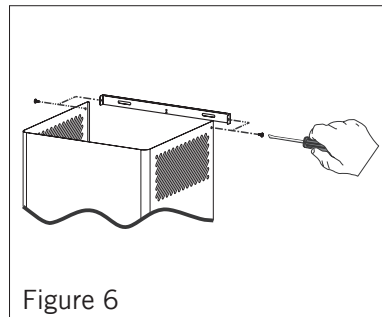
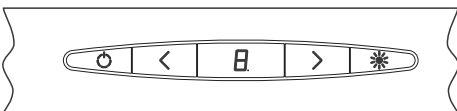


Figure 6

Note: Packaging may not include inner duct according to model.

4. FUNCTIONS OF THE CHIMNEY HOOD







4.1. Control Panel



Digital Control: Touch the symbols on the keys. (On/Off function and timer are on the same key; if pressed for 1 sec on-off function will operate.

If pressed for 3 sec. 15 minutes timer will operate.


4.2. Symbols Functions

	Switches on and off the motor. (Except for the lighting)		Increases the speed when the motor is running.
	Decreases the speed when the motor is running.		If pressed this symbol, the motor turns itself off 15 minutes later.
	Display		Only switches on and off the lighting system.

Note: When the product operates for a certain time, the aluminum filters get dirty and the digital display shows “C” Clean sign. This means the filters should be cleaned. Press the speed reduction key for 5 secs in order to delete “C” sign from the display.

Push Button: Pressing the buttons will enable different functions. In order to disable them, press only the button Off.



		MID	Medium speed
OFF	Stops the motor, except for the ligh	MAX	Intense speed
MIN	Low speed		It turns on and off the lighting system only.

5. OPERATING THE CHIMNEY HOOD

Chimney hood is used in ducted and non-ducted kitchens.

5.1. In Ducted Use

In ducted use, extractor fan should be connected to an air outlet to send the air out. In order to use your chimney hood efficiently, make sure length of the pipe system between the chimney hood and the air outlet should be short. Your product has been manufactured suitable for ducted and non-ducted use.

5.2. Round Charcoal Filter

In kitchens with no duct, a round charcoal filter should be reintroduced the clean air into the kitchen. You can obtain the round filter from your service or dealer.

5.3. Use Of Charcoal Filter

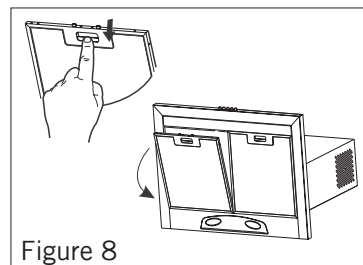
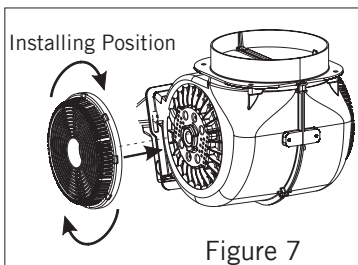
- Our products allow the installation of charcoal filter.
- Regardless of use of charcoal filters or not, grease filters should be installed on the product. Do not use your product without grease filter.
- Use of charcoal filter is as follows.
- Cut off the device power before replacing charcoal filter.
- Charcoal filter is used in the kitchens with no duct therefore should be replaced in every 3-5 months depending on the frequency of use.
- Charcoal filter should never be washed.

5.4. Installation Of Charcoal Filter

- Charcoal filters are used in the kitchens with no duct.
- Charcoal filters are installed onto both sides of the fan as shown in **Figure 7** by turning 10 degrees clock-wise.
- When uninstalling, reverse the same procedure.

5.5. Use Of Aluminum Cartridge Filter

Aluminum cartridge filter holds dust and grease in the air. Chimney hood should never be used without aluminum cartridge filter. (**Figure 8**)



6. REPLACING THE BULB

Always switch off the electrical supply before carrying out any operation.

6.1. Led

- LED bulb does not operate is possible to remove as shown in **Figure 9**
- A new bulb to be supplied from service points is replaced with the same reoperation.
- Cables are designed with sockets. The plug in should be made according to previous connection.

6.2. Candle Type Halogen Bulb

- Bulb does not operate is possible to remove as shown in. **(Figure 9)**
- A new bulb with the same features is replaced with removed bulb.
- Remove the holder on the LED bulb. Put the new LED bulb on the holder housing of the LED bulb you removed as shown in **Figure 10**.

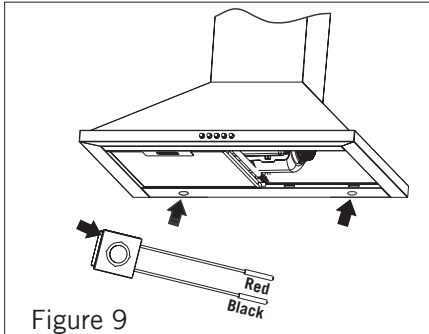


Figure 9

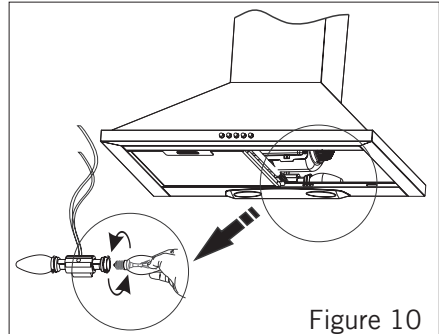


Figure 10

7. MAINTENANCE OF THE CHIMNEY HOOD

- Device should be unplugged or switch should be turned off before cleaning and maintenance procedures.
- Metal filter should be cleaned once a month with hot soapy water or in the dishwasher, if possible. (60 °C)
- Remove the aluminum cartridge filter by pressing on the spring catches on the side. Do not refit before drying after wash.
- Outer surface of the extractor hood should be wiped with a damp cloth soaked with soapy water.
- Make sure electronic parts do not contact with water or similar materials.
- For inox products, using inox cleaning and maintenance products available in the market will provide longer usage life for your device.
- Aluminum filters can be washed in dishwasher. After several washes, aluminum filters may change colour. This is normal and filters do not need to be replaced.

WARNING: When used with devices which use fuel (heaters working with gas, diesel fuel, coal or firewood, water heaters, etc) and the air in the environment; should be used cautiously. The chimney hood sending the air out in the environment may affect the burning adversely.

This warning is not applicable to non-ducted use.

Efficient Use Of Chimney Hood;

- When installing the chimney hood to the air duct, use 150/120 mm diameter pipes and use bends as minimum as possible.
- Be ware of cleaning periods of metal filters and replacing times of charcoal filters.
- When dense suction power is not required, use the product in medium setting.
- For right ventilation, the windows in the kitchen leading to the outside should be kept closed.

8. IF CHIMNEY HOOD DOES NOT WORK;

Before contacting the service, make sure the product is plugged and the fuse in the electrical installation is working. Do not do anything that may harm the product.

Service And Spare Parts

Have one of our authorized services install your device free of charge.

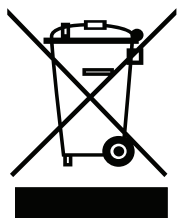
You can supply spare parts of your device from your dealer or authorized services. The package includes a list of authorized services with the product.

When you contact your service or dealer to ask for any spare parts, notify them of product model name shown in the product label. When you remove the aluminum cartridge filter, you will see the product label.

Before contacting your service, check your chimney hood against the table below. If problem persists, contact your dealer or authorized service point.

	Check electricity connection (mains voltage should be 220-240 V, Chimney hood should be connected to grounding socket.)	Check motor switch (Motor switch should be on.)	Check bulb switch (Bulb switch should be on.)	Check aluminum filter (Aluminum cartridge filter should be washed once a month in normal use.)	Check bulbs (Bulbs should be in working condition.)	Check air outlet shaft (Air outlet shaft should be unblocked.)	Check charcoal filter (Charcoal filters should be replaced quarterly in normal use.)
Chimney Hood does not work	✓	✓					
Light bulb is not working	✓		✓		✓		
Chimney hood air suction is poor				✓		✓	✓
Do not send air out (in non-ducted cases)				✓			✓

9. ENVIRONMENTALLY-FRIENDLY DISPOSAL



Dispose of packaging in an environmentally-friendly manner.

This appliance is labelled in accordance with European Directive 2012/19/EU concerning used electrical and electronic appliances (waste electrical and electronic equipment - WEEE). The guideline determines the framework for the return and recycling of used appliances as applicable throughout to the EU.

10. PACKAGE INFORMATION

Packaging materials of the product are manufactured from recyclable materials in accordance with our National Environment Regulations. Do not dispose of the packaging materials together with the domestic or other wastes. Take them to the packaging material collection points designated by the local authorities.